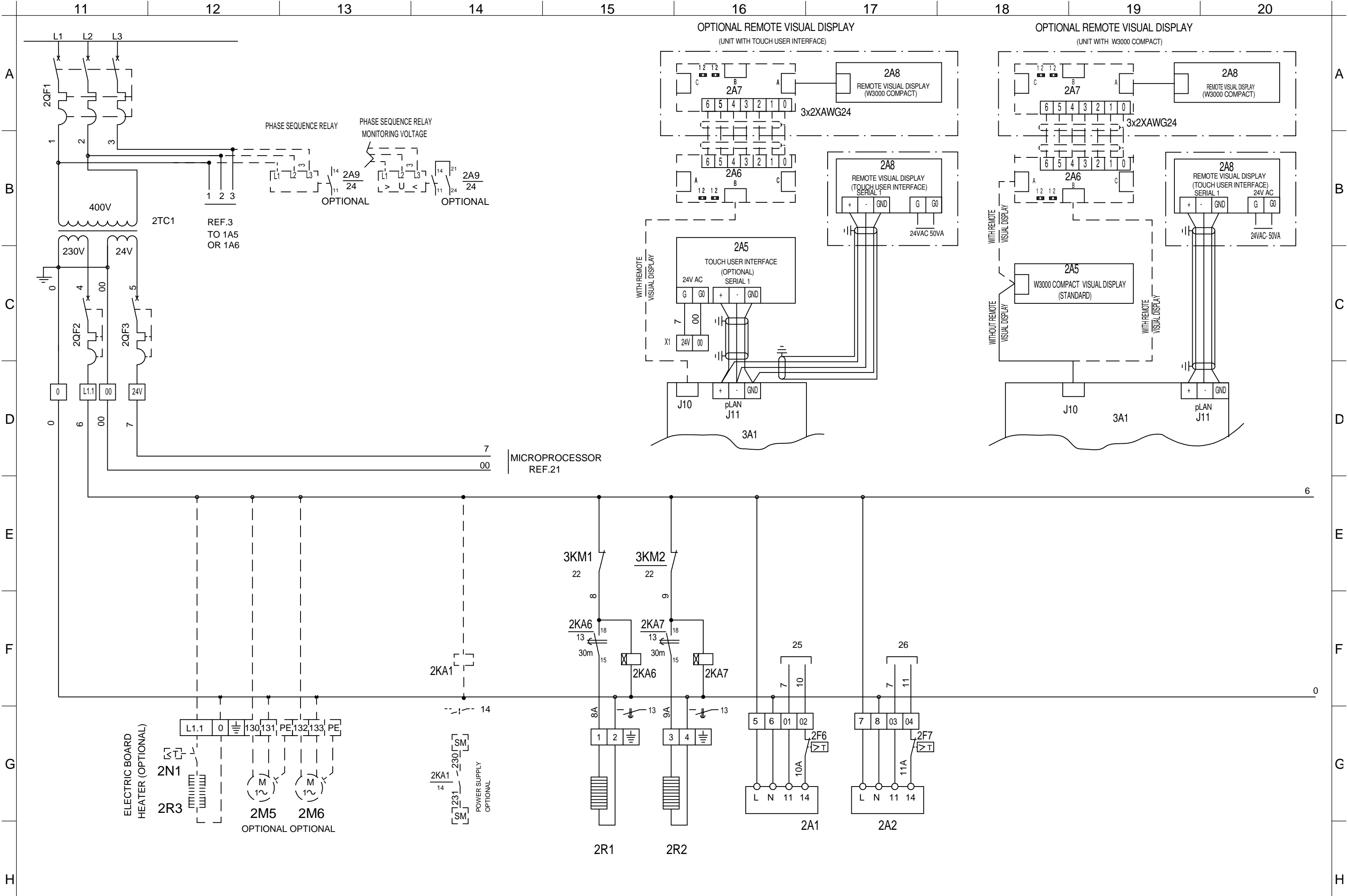
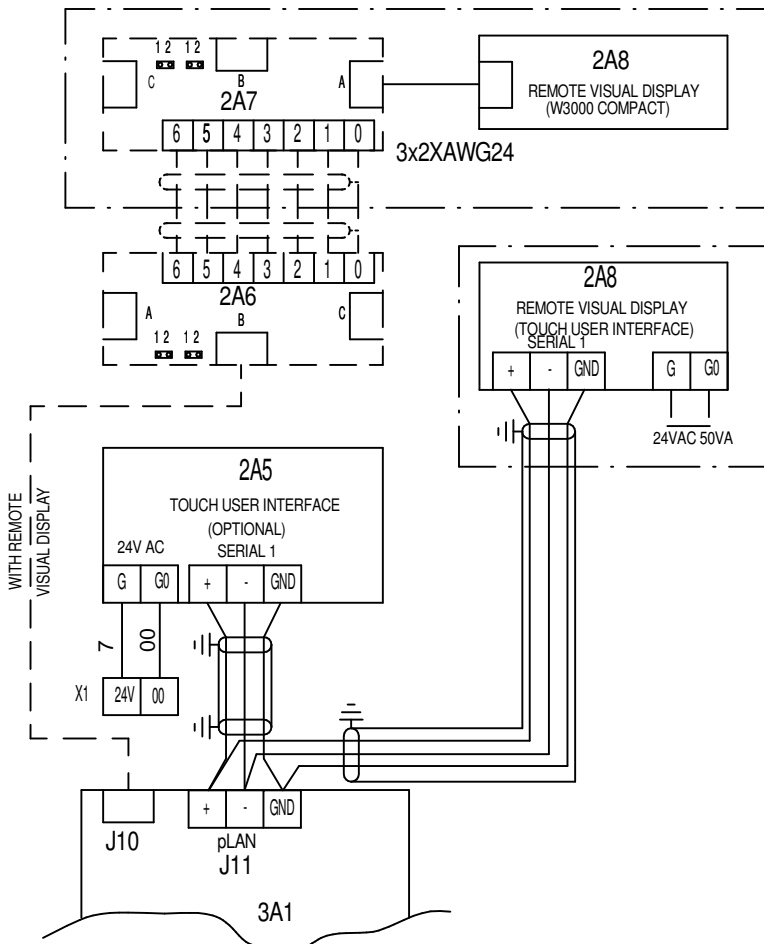


02	Add plant water light	20/01/2020	F. Boldrin
REV. N°	DESCRIPTION	DATE	DRAWN
DESCRIPTION: NX/D(-Y or -Z) 0302 LN-K Mobiheat Transport Käfig Fa. Mobiheat			DRAWING N° E1G1176048-02 REV. N° - SUBSTITUTES N° -
DRAWN	F. Boldrin	DATE 25/10/2019	AUDITED P. Romor
SCALE	A3	BY TERM OF LAW THIS DRAWING CANNOT BE REPRODUCED WITHOUT OUR WRITTEN AUTHORIZATION	
			SHEET 1 OF 5
			CLIMAVENETA MITSUBISHI ELECTRIC HYDRONICS & IT COOLING SYSTEMS S.p.A.

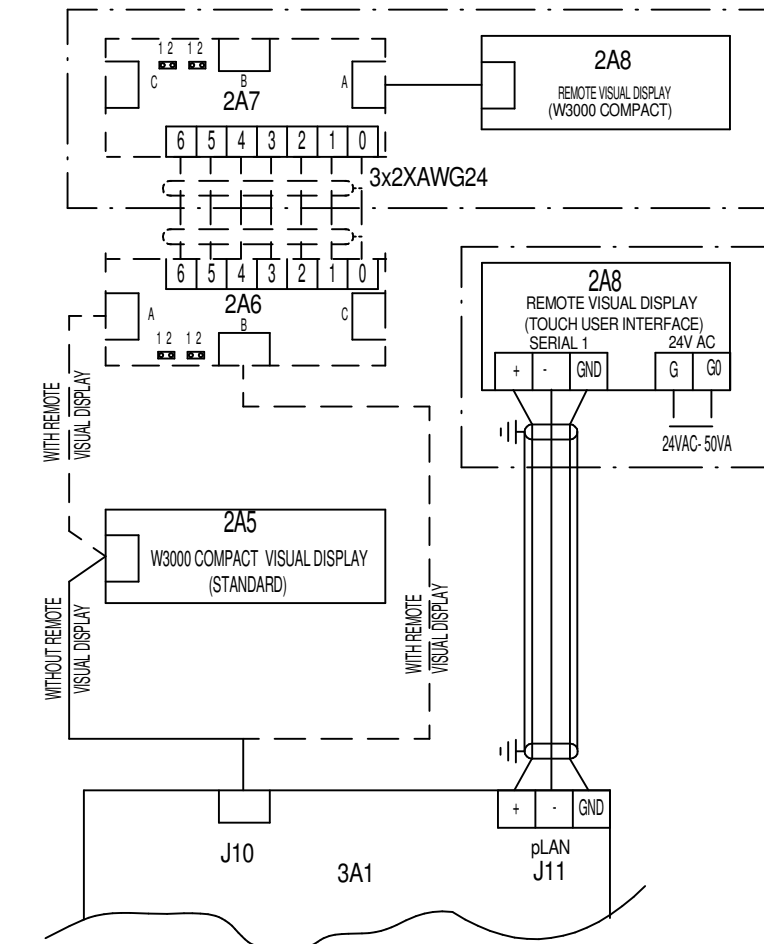
ATTACHED N.5 WIRING DIAGRAM



OPTIONAL REMOTE VISUAL DISPLAY
(UNIT WITH TOUCH USER INTERFACE)



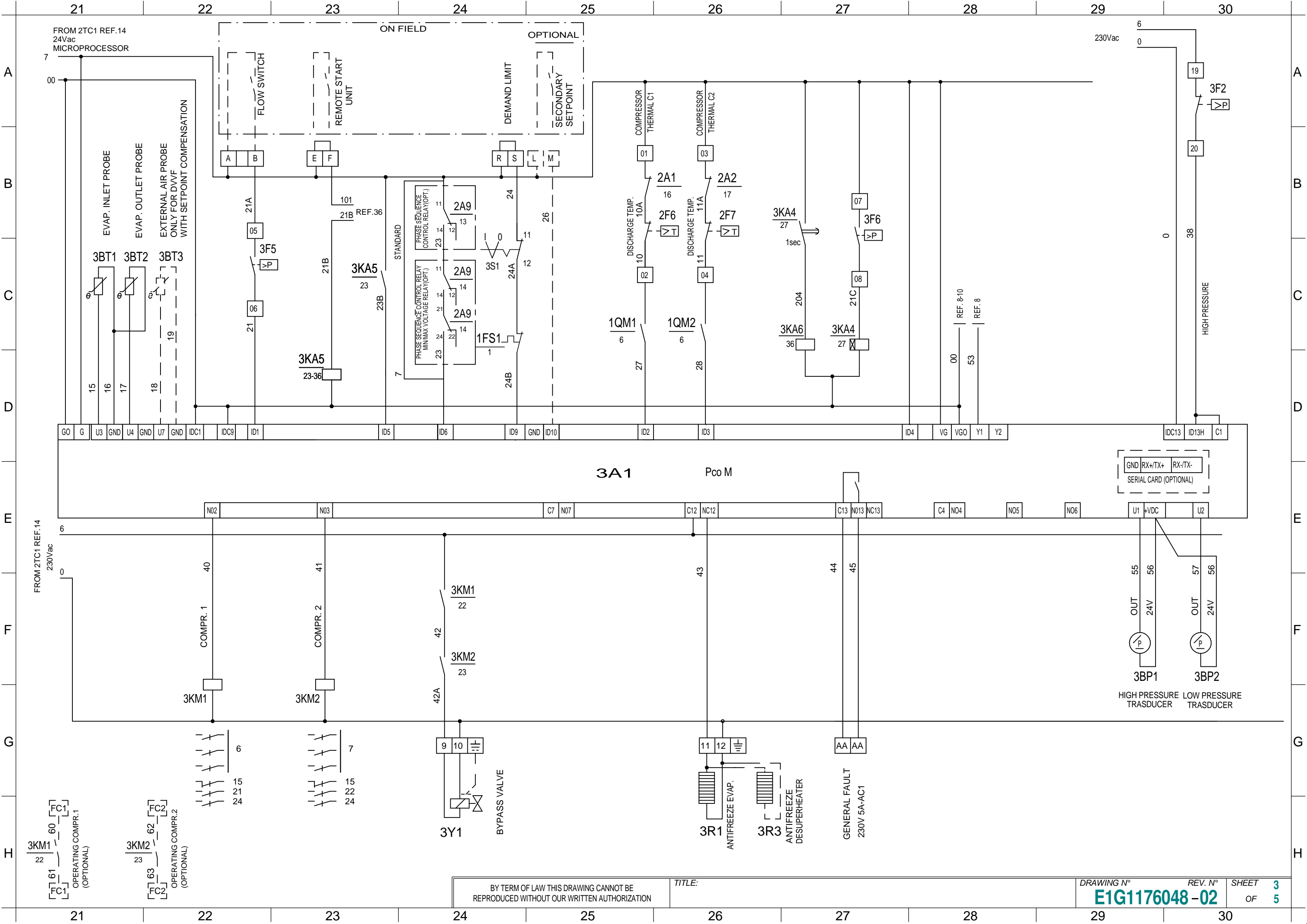
OPTIONAL REMOTE VISUAL DISPLAY
(UNIT WITH W3000 COMPACT)

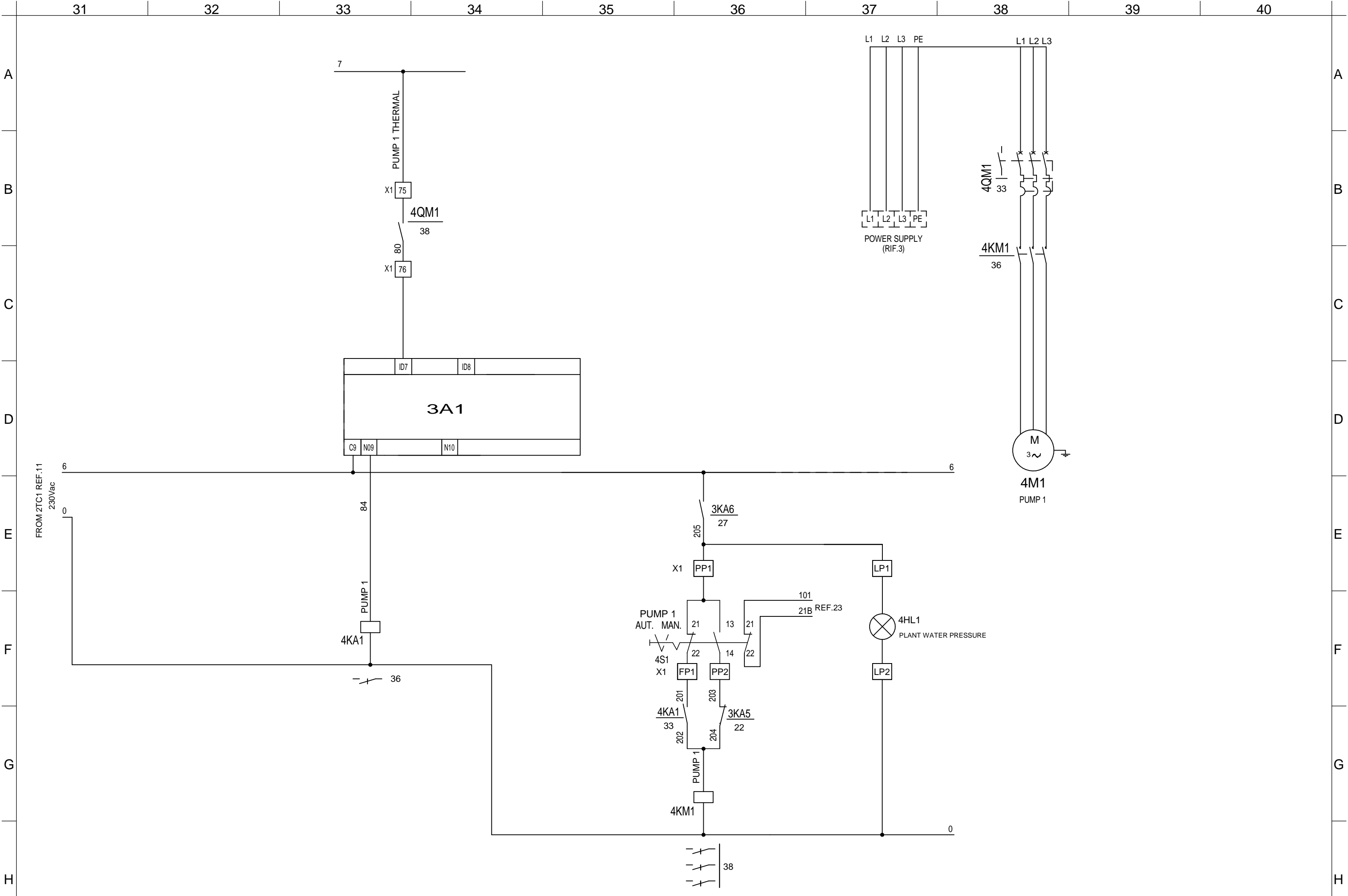


BY TERM OF LAW THIS DRAWING CANNOT BE REPRODUCED WITHOUT OUR WRITTEN AUTHORIZATION

TITLE:

DRAWING N° REV. N° SHEET 2 OF 5
E1G1176048-02





FROM 2TC1 REF.11
230Vac

BY TERM OF LAW THIS DRAWING CANNOT BE
REPRODUCED WITHOUT OUR WRITTEN AUTHORIZATION

TITLE:

DRAWING N° **E1G1176048-02** REV. N° OF SHEET **4** OF **5**

Nr.	Identificazione simbolo Identifying symbol of device	Descrizione / Description	Nr.	Identificazione simbolo Identifying symbol of device	Descrizione / Description
A 1	1QS1	Sezionatore generale Main isolator	31	3KA5-3KA6	Relè ausiliario Auxiliary relay
2	1QM1-1QM2	Int. magnet. compressori Compressors circuit breakers	32	3KA4	Rele ritardato alla eccitazione Time Delay Relay
3	1QM5	Int. magnet. ventilatori Fans circuit breaker	33	3KM1-3KM2	Contattori compressori Contactors compressor
4	1A1-1A2	Regolatore velocità ventilatori Fans speed regulation	34	3R1-3R3	Resistenza riscaldamento Electr. heater
B 5	1A3-1A4	Filtro Filter	35	3Y1	Valvola solenoide Solenoid valve
6	1A8	Termostato Thermostat	36	3S1	Selettore 2 posizioni 2 position selector
7	1BT1	Sonde di temperatura Temperature probe	37	4HL1	Lampada pressione acqua impianto Water pressure plant light
8	1M1-1M2	Compressori Compressors	38	4QM1	Int. magnet. pompe Pumps circuit breakers
C 9	1CA1-1CA2	Condensatori compressori Condenser compressor	39	4KM1	Contattore pompe Pump contactors
10	1M3/1M8	Ventilatori Fans	40	4M1	Pompe Pumps
11	1CA3/1CA8	Condensatori ventilatori Condenser fans	41	4KA1	Relè ausiliario Auxiliary relay
12	2QF1/2QF3	Int. magnet. ausiliari Auxiliary circuit breakers	42	4S1	Selettore 2 posizioni 2 position selector
D 13	2TC1	Trasformatore ausiliari Auxiliary transformer	43		
14	2R1-2R2	Resistenze carter compressori Compressor crankcase heater	44		
15	2N1-2R3	Resistenza + termostato riscald. Q.E.(opzionale) Electrical board heater (optional)	45		
16	2M5-2M6	Ventole aereazione Exhaust fans	46		
17	2A1-2A2	Protezione termica compressori Compressors thermal overload relay	47		
E 18	2F6/2F7	Termostato scarico compr. Discharge compr. thermostat	48		
19	2A5	Tastiera e visualizzazione Visual display	49		
20	2A6-2A7	Connettore Connector	50		
21	2A8	Tastiera e visualizzazione remota Remote visual display			
F 22	2A9	Controllo sequenza fasi Sequence failure relay			
23	2KA1	Relè presenza tensione Power supply relay			
24	2KA6-2KA7	Rele ritardato alla eccitazione Time Delay Relay			
25	3BT1/3BT3	Sonde di temperatura Temperature probe			
G 26	3BP1-3BP2	Sonde di pressione Transducer pressure			
27	3F2	Press. alta pressione High pressure control			
28	3F5	Press. differenziale acqua Differential pressure switch			
29	3F6	Press. acqua Pressure switch			
H 30	3A1	Unità di elaborazione Elaboration module			