

- +B BOILER POWER BOARD**
- F1xx HEATER FUSE "B" 32A
  - F2xx HEATER FUSE "B" 32A
  - K100 SAFETY THERMOSTAT RELAY
  - Kx HEATER CONTACTOR
- +B0 HEATER BOX**
- Ex HEATER 15kW
- TIGHTENING:**
- 30Nm BUSBAR
  - 30Nm MAIN CONNECTOR



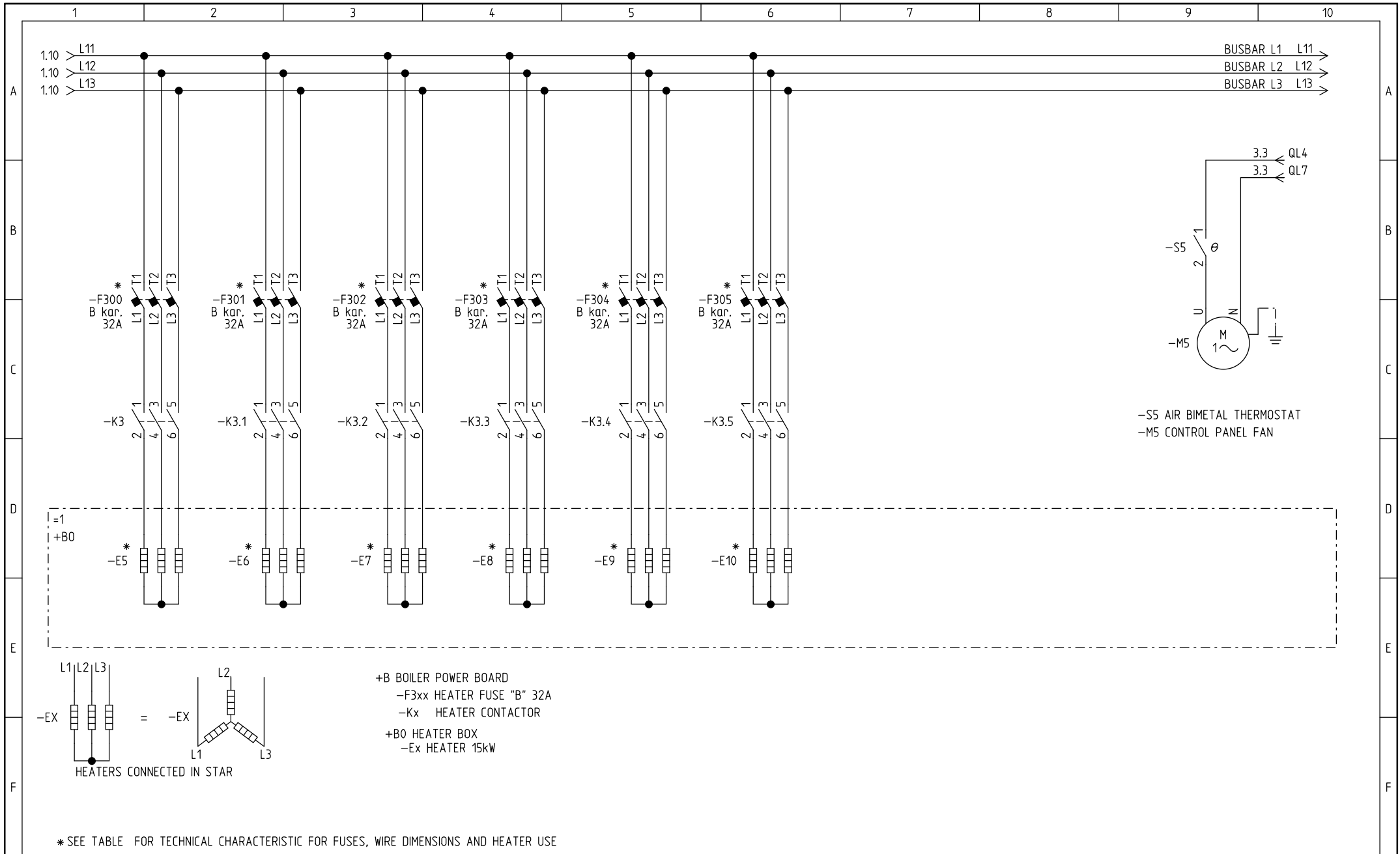
Designed by: Cule J.  
Checked by: Gojkovic Z.

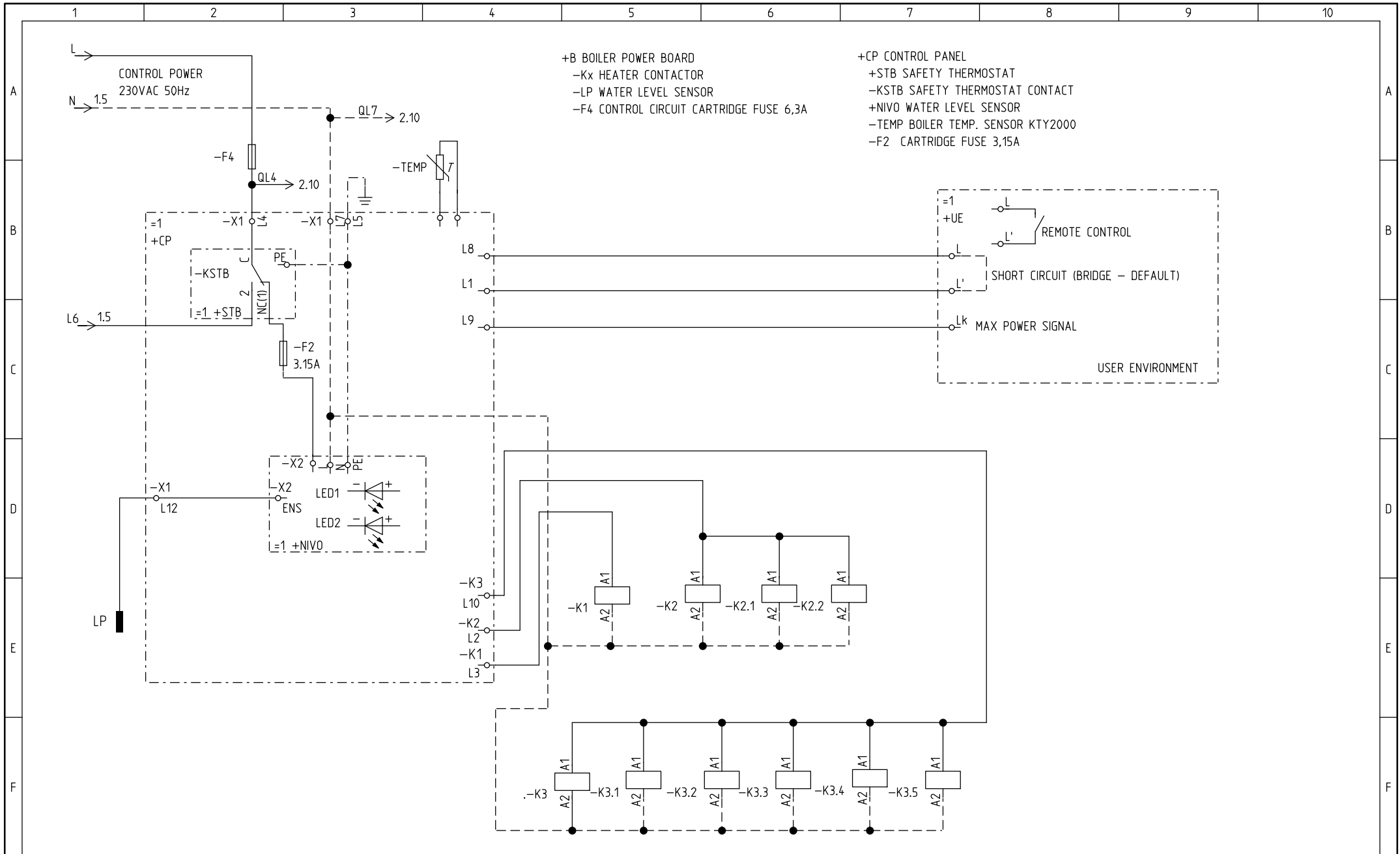
Project: BOILER 150kW, 400V 3N~50Hz

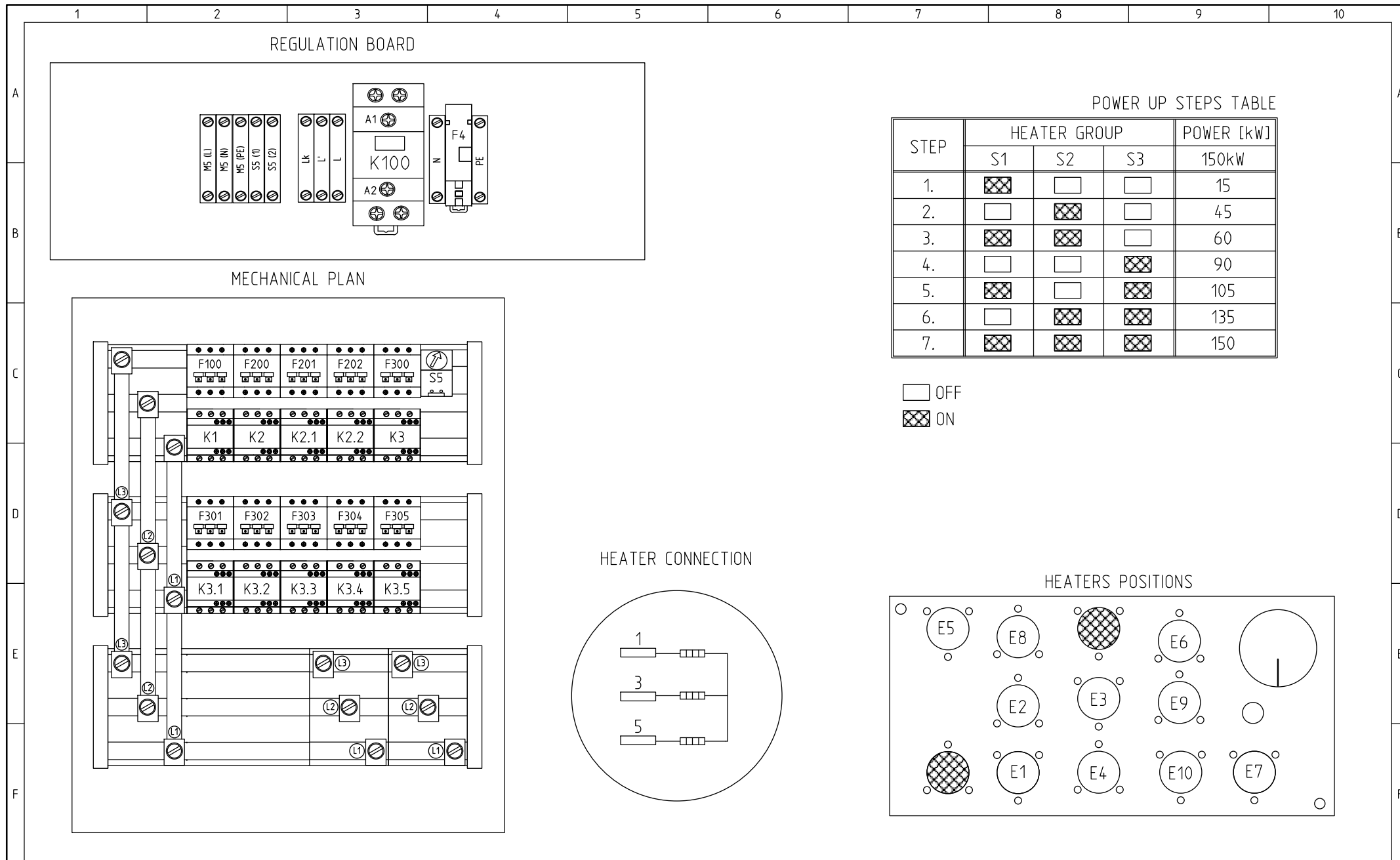
File name: 150kW 3x400VAC  
Date: 20.9.2016.

Page description: POWER DISTRIBUTION  
Function: =1  
Location: +B

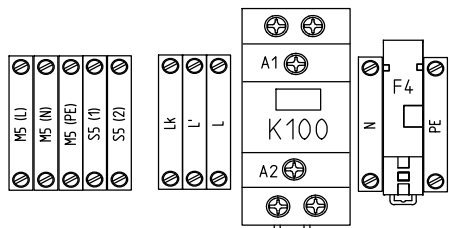
Page: 1  
All pages: 4  
Version: V02







REGULATION BOARD

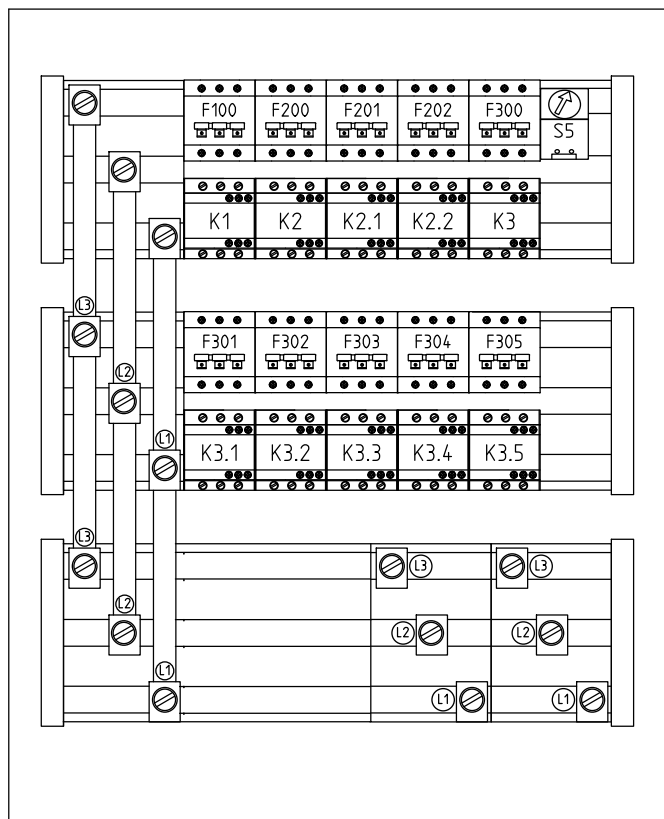


POWER UP STEPS TABLE

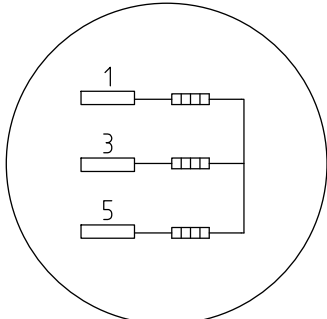
STEP	HEATER GROUP			POWER [kW]
	S1	S2	S3	
1.	☒	☐	☐	15
2.	☐	☒	☐	45
3.	☒	☒	☐	60
4.	☐	☐	☒	90
5.	☒	☐	☒	105
6.	☐	☒	☒	135
7.	☒	☒	☒	150

☐ OFF  
 ☒ ON

MECHANICAL PLAN



HEATER CONNECTION



HEATERS POSITIONS

